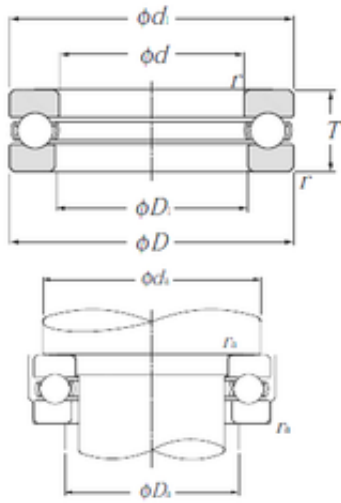




Shandong Weibo Precision Bearing Co.,...



NTN 51256 Thrust Spherical Roller Bearing

Bearing No. 51256

Size	280x380x80 mm
Bore Diameter	280 mm
Outer Diameter	380 mm
Width	80 mm
d	280 mm
D	380 mm
T	80 mm
d1	375 mm
r min.	2,1 mm
D1	284 mm
da min.	339 mm
Da max.	321 mm
ra max.	2 mm
Weight	26,1 Kg
Basic dynamic load rating (C)	460 kN
Basic static load rating (C0)	1 970 kN
(Grease) Lubrication Speed	510 r/min

51256 Bearing 2D drawings and 3D CAD models