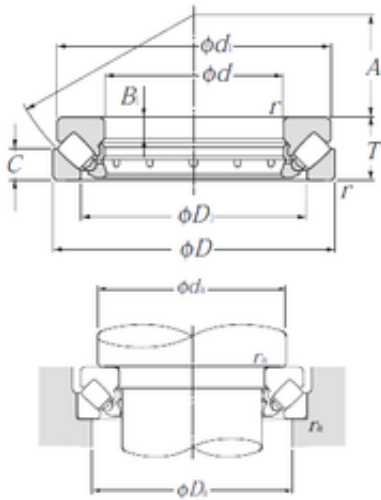




Shandong Weibo Precision Bearing Co.,...



29432 NTN Thrust Spherical Roller Bearing

Bearing No. 29432

Size	160x320x95 mm
Bore Diameter	160 mm
Outer Diameter	320 mm
Width	95 mm
d	160 mm
D	320 mm
T	95 mm
B1	34 mm
C	45 mm
d1	306 mm
r min.	5 mm
A	99 mm
D1	229 mm
da min.	230 mm
Da max.	265 mm
ra max.	4 mm
Weight	37 Kg
Basic dynamic load rating (C)	1 500 kN
Basic static load rating (C0)	5 150 kN
Category	Roller Bearings
Inventory	0.0
Manufacturer Name	NTN
Minimum Buy Quantity	N/A
Weight / Kilogram	36.6
Product Group	B04311
bore diameter:	160 mm

29432 Bearing 2D drawings and 3D CAD models



Shandong Weibo Precision Bearing Co.,...

bearing material:	Through Hardened Steel
outside diameter:	320 mm
operating temperature range:	-40 to 120 ° C
overall width:	95 mm
maximum rpm:	1000 rpm
cage type:	Machined - Two Piece
separable type:	Separable Bearing
enclosure:	Open
fillet radius:	5 mm
cage material:	Brass
series:	294
static load capacity:	5150000 N
manufacturer product page:	Click here
dynamic load capacity:	1500000 N